

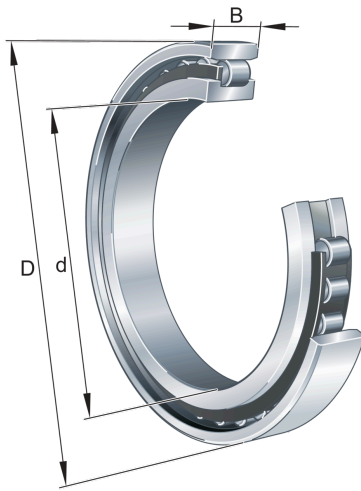
**FAG****N210-E-XL-TVP2**

Cylindrical roller bearing

Schaeffler ID:
0167337700000

Cylindrical roller bearing N2..-E-TVP, with cage, single row, non-locating bearing, 0 ribs on outer ring, 2 rib on inner ring, type N2

Technical information

**Main Dimensions & Performance Data**

d	50 mm	Bore diameter
D	90 mm	Outside diameter
B	20 mm	Width
C_r	75,000 N	Basic dynamic load rating, radial
C_{0r}	69,000 N	Basic static load rating, radial
C_{ur}	11,400 N	Fatigue load limit, radial
$n_{G\text{ Grease}}$	9,500 1/min	Limiting speed for grease lubrication
$n_{G\text{ Oil}}$	11,100 1/min	Limiting speed for oil lubrication
	0.476 kg	Weight

Dimensions

$r_{1\text{ min}}$	1.1 mm	Minimum chamfer dimension
s_1	1.3 mm	Axial displacement
E	81.5 mm	Raceway diameter outer ring

Mounting dimensions

$d_{a\text{ min}}$	57 mm	Minimum diameter shaft shoulder
$D_{a\text{ max}}$	83 mm	Maximum diameter of housing shoulder
$r_{a1\text{ max}}$	1 mm	Maximum recess radius

Temperature range

T_{min}	-30 °C	Operating temperature min.
T_{max}	120 °C	Operating temperature max.